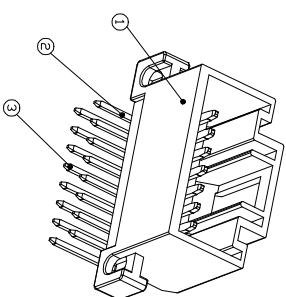


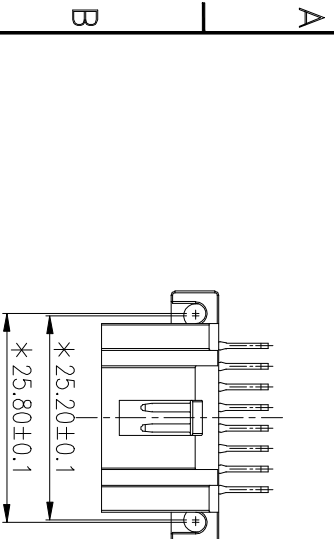
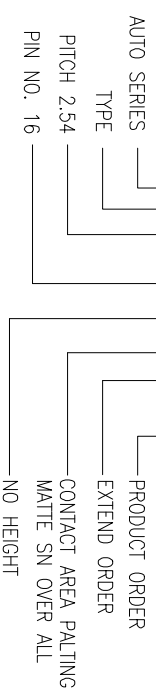
REV.	QTY	ECN. NO.	APP.	DATE
X0	--	TC-13-2-176	ROBIN	2013.12.03



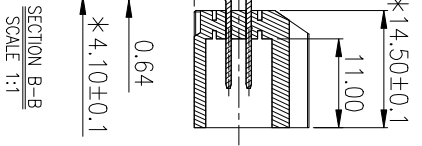
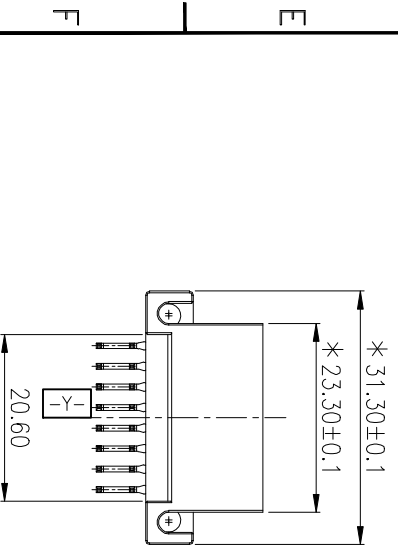
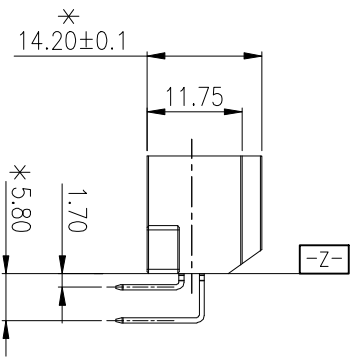
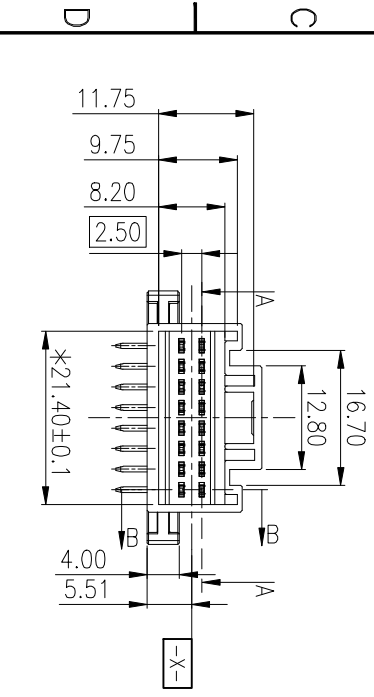
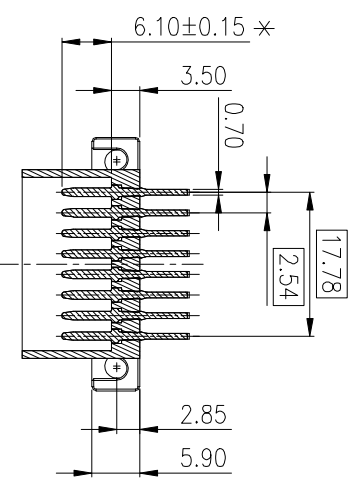
NOTES:

- MATERIAL:
1-1.HOUSING: PBT GF 20%, UL94 V-0,WHITE;
1-2.CONTACT: COPPER ALLOY, T=0.64mm
- FINISH:
2-1.CONTACT: CONTACT AREA PLATING,
80~150u" MATTE Sn PLATING UNDERPLATING OVER ALL,
80~150u" NICKEL UNDERPLATING OVER ALL

3.) PART NO:
AWF99-1600991-0010



SECTION A-A
SCALE 1:1



SECTION B-B
SCALE 1:1

ITEM	NAME	PART No.	MATERIAL	QTY	REMARK
3	CONTACT L	TW-00000-0008	C2608R-H,T=0.64mm	8 PIN	
2	CONTACT S	TW-00000-0009	C2608R-H,T=0.64mm	8 PIN	
1	HOUSING	HW-16000-0011	PBT	1	

DIMENSION IN mm		TOLERANCE UNLESS OTHERWISE SPECIFIED	
.X± 0.15	X:± 1.5'	APR	
.XX± 0.10	.X'± 1.0'	CHK	
.XXX± 0.05	.XX'± 0.5'	DR	

LGM Shenzhen Linkconn Electronics Co.,Ltd.

TITLE: AUTO CONNECTOR 16PIN ASS'Y

DWG NO: AWF99-1600991-0010

PROJ.	SCALE	SHEET	REV.
AWF99-1600991-0010	N/A	1/1	X0